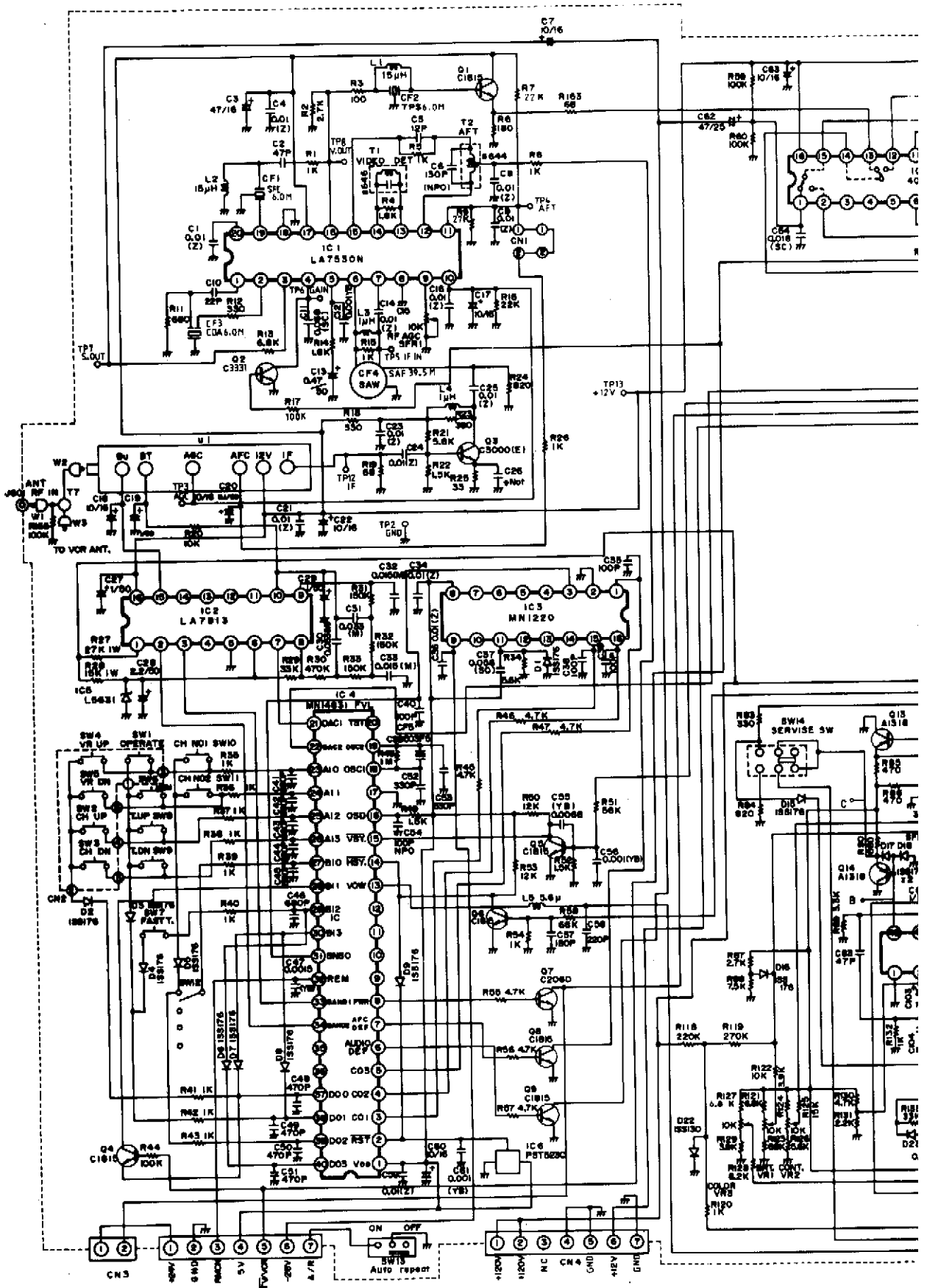
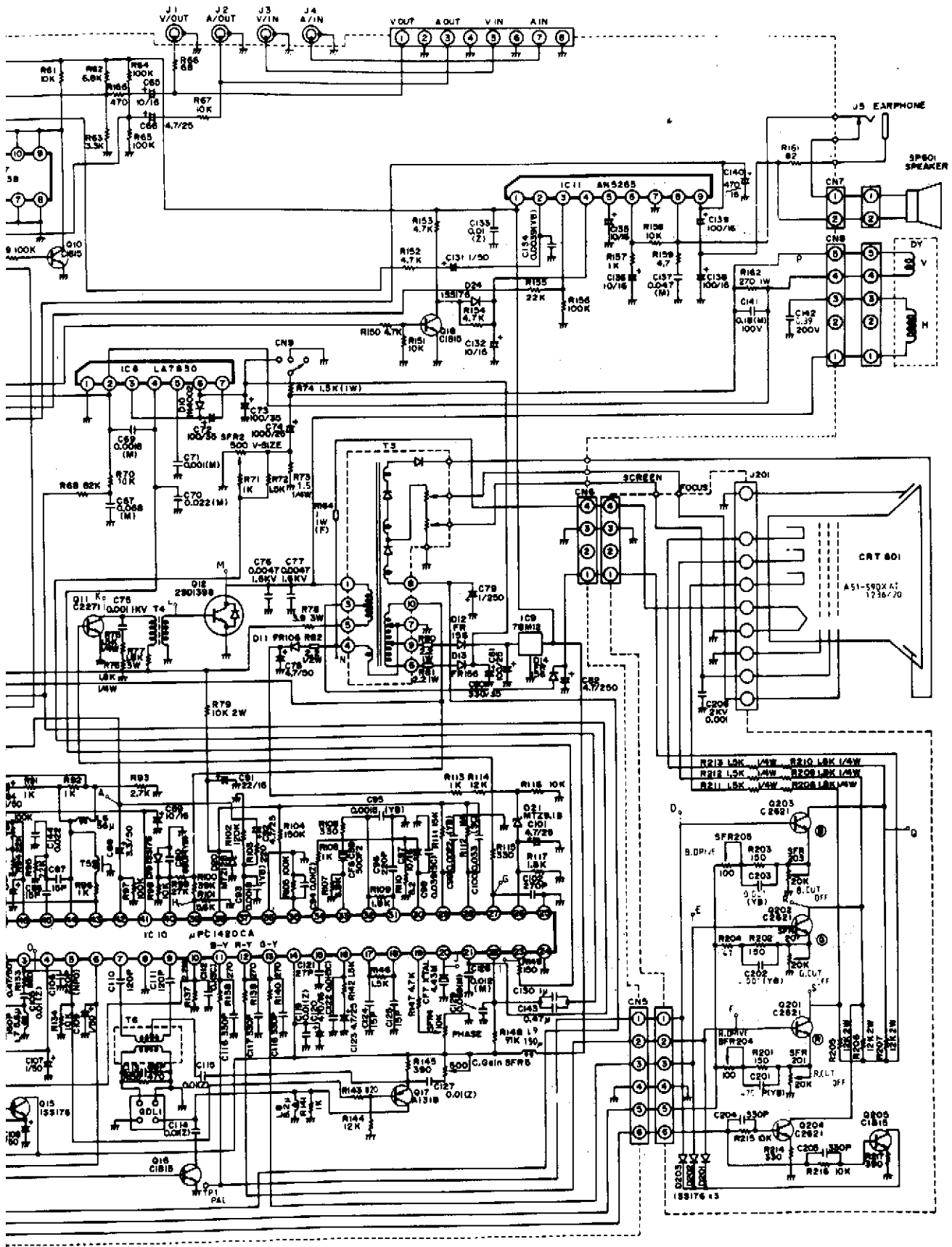


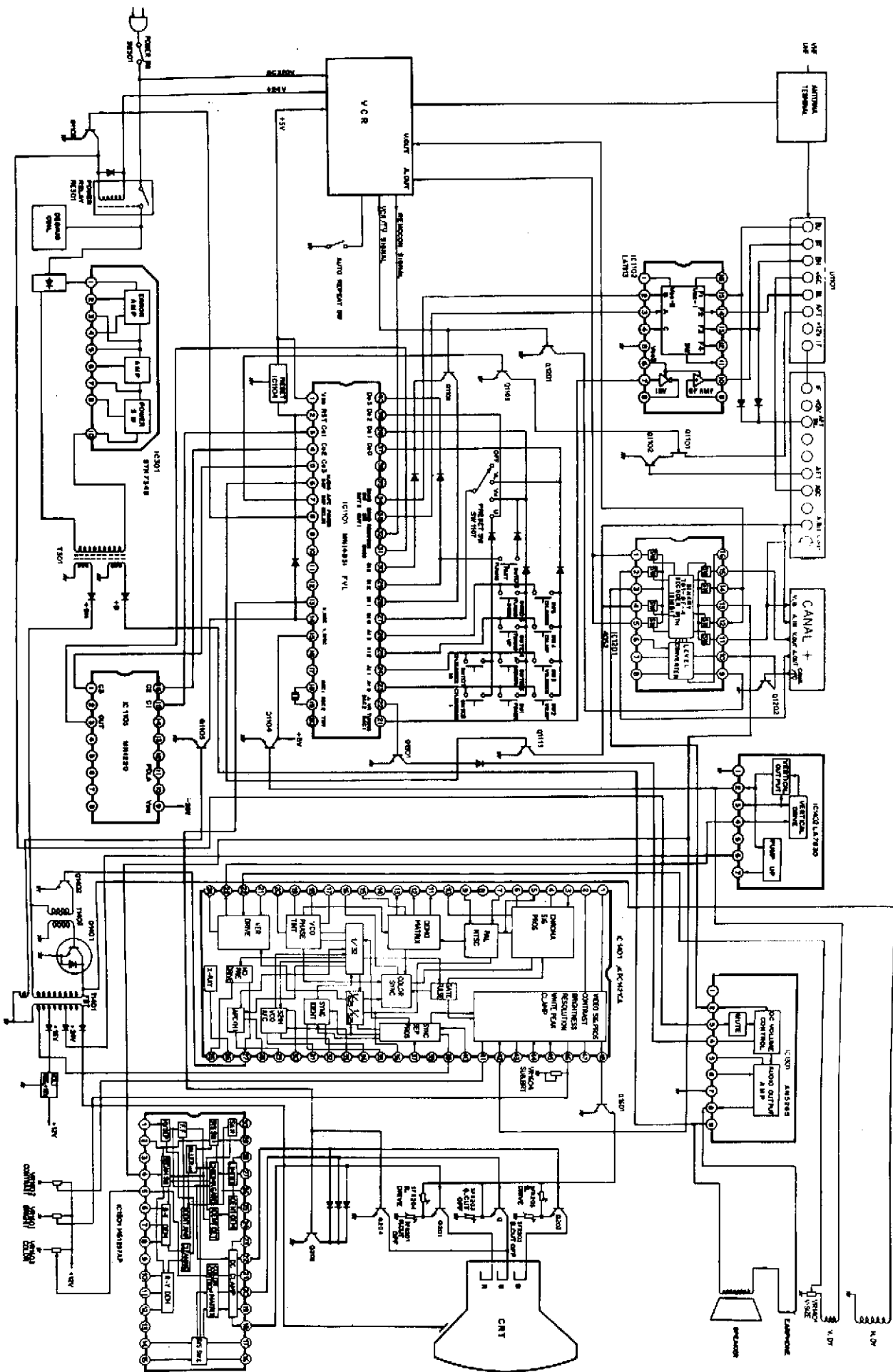
T.V. SECTION SC



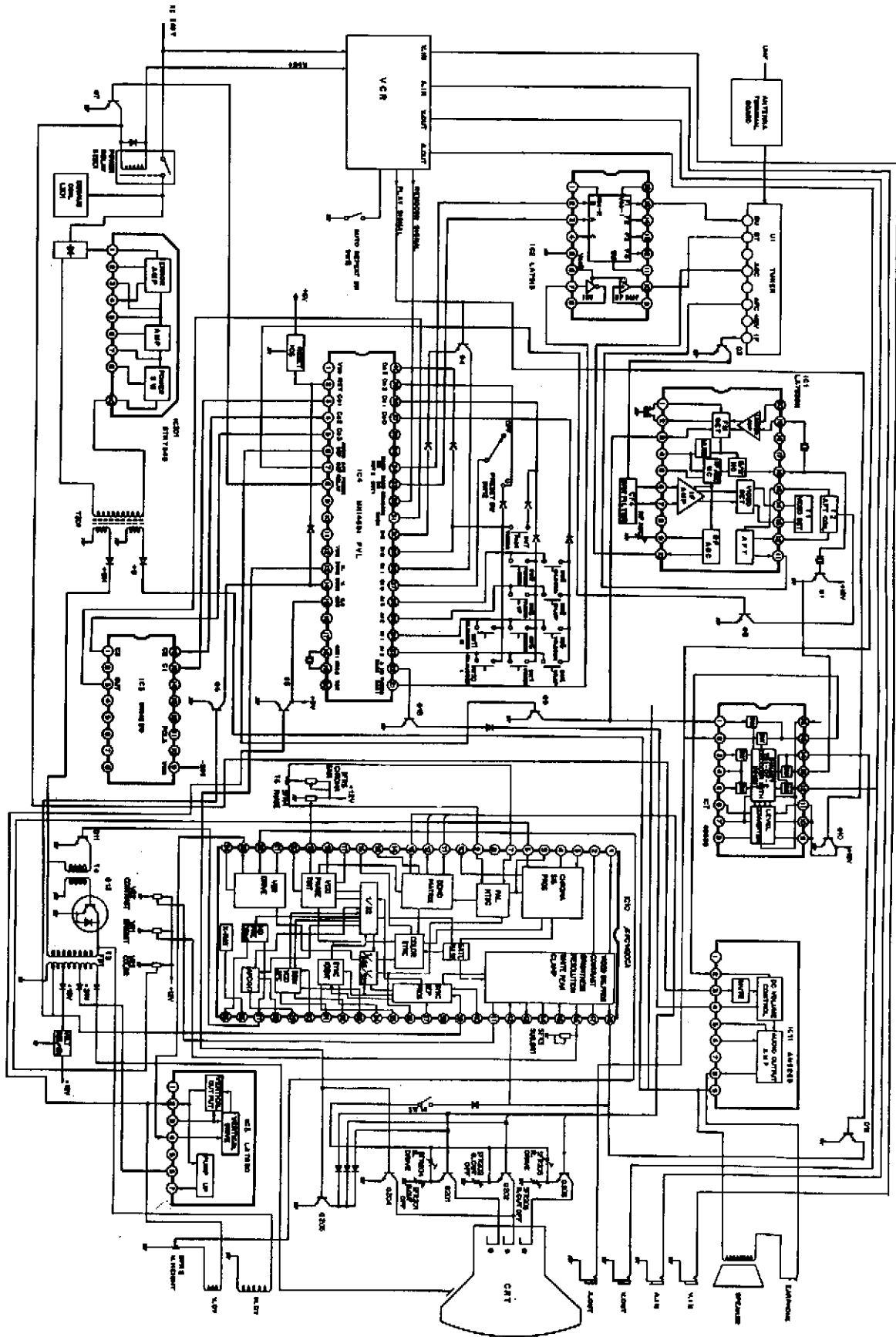
SCHEMATIC DIAGRAM (Main P.C.B.)



TV SECTION BLOCK DIAGRAM

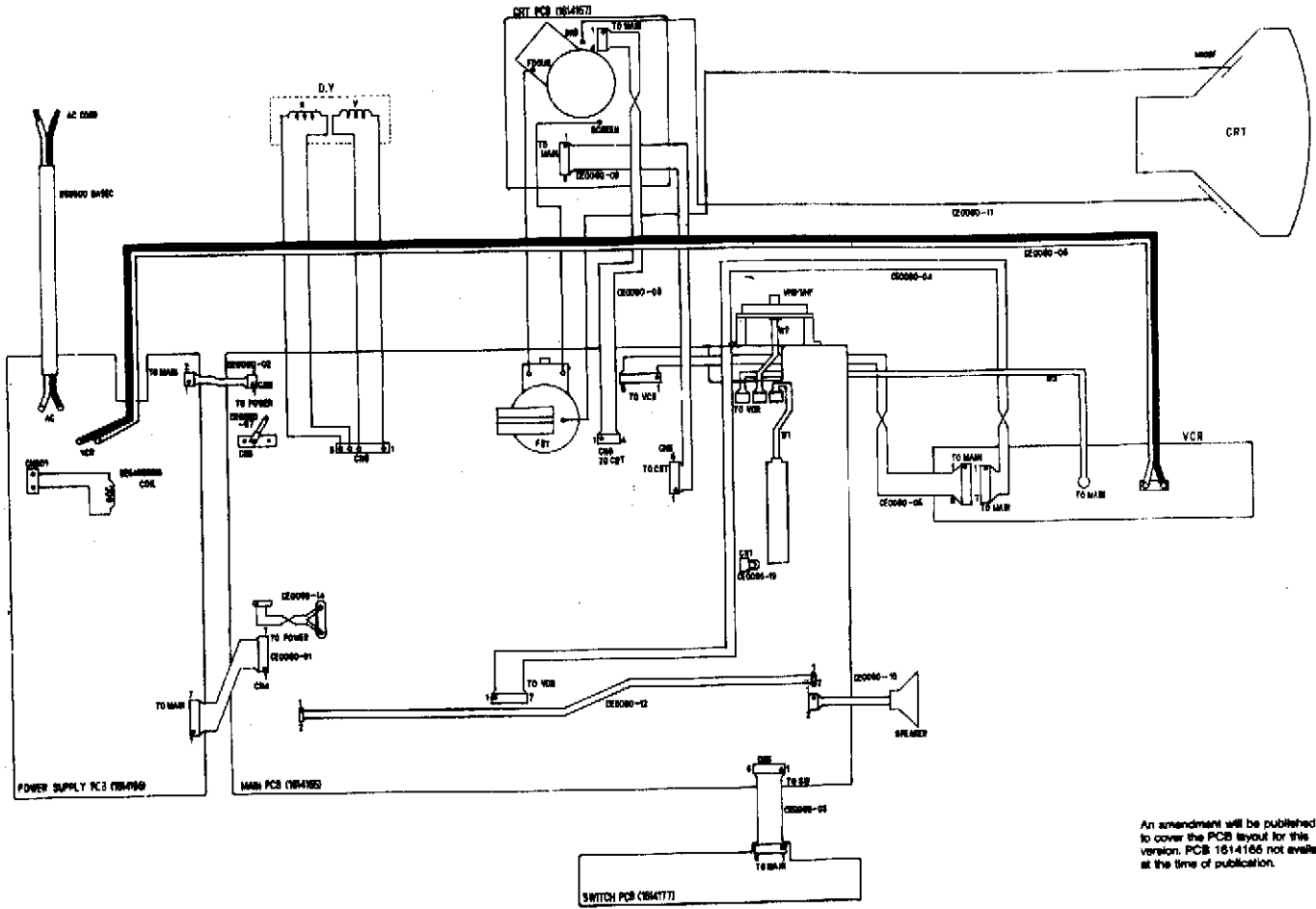


TV SECTION BLOCK DIAGRAM



AMSTRAD TVR3

TV SECTION WIRING DIAGRAM



An amendment will be published to cover the PCB layout for this version. PCB 1614166 not available at the time of publication.

VOLTAGE CHART

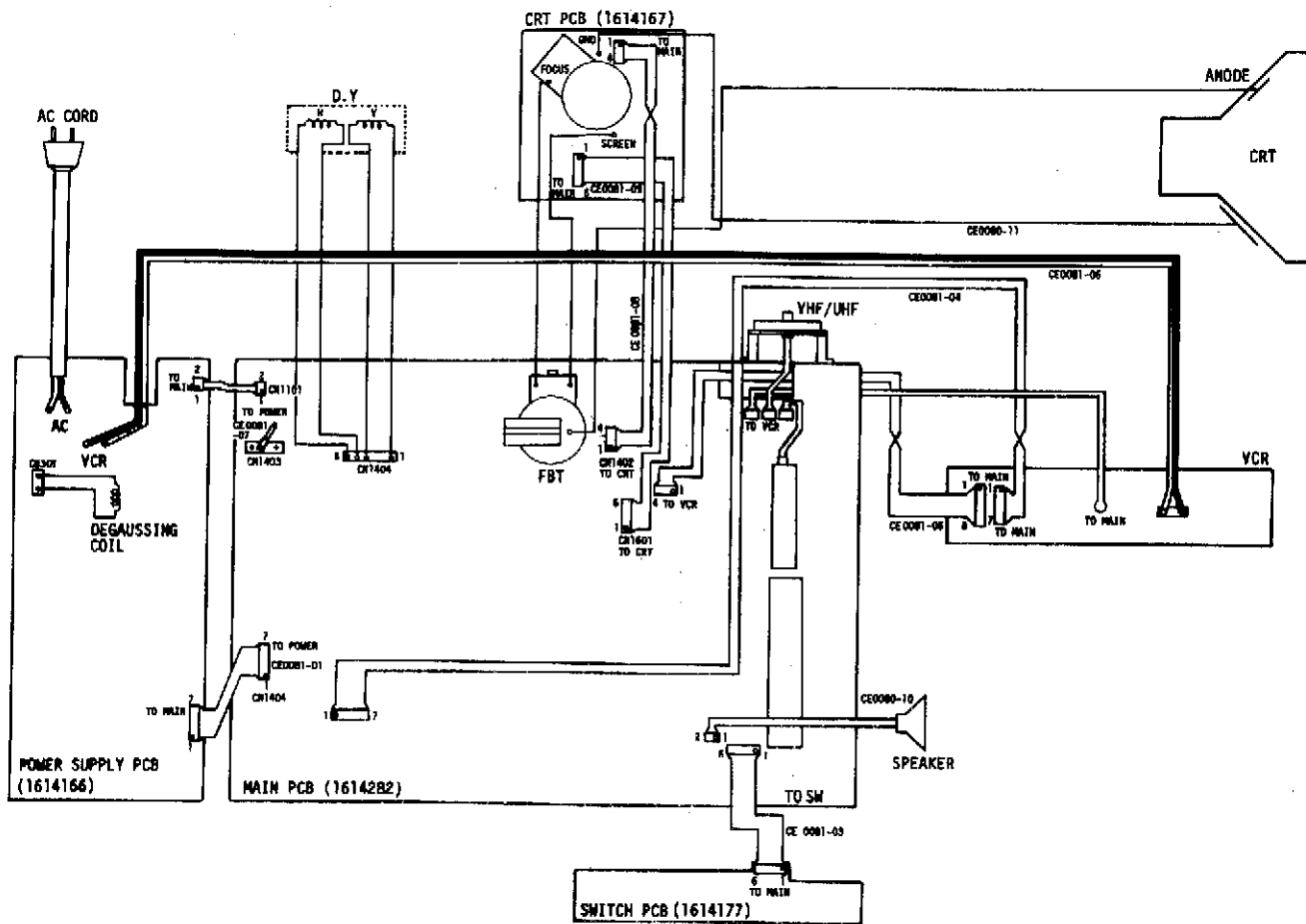
Operation : Input Signal Full color bar signal
 Brightness Maximum
 Contrast Maximum
 Color Maximum
 Volume Minimum

TR NO	TR TYPE	E	C	B	REMARK
Q1	25C1815 (GR), 25C3331 (T, U)	4.3	12.0	8.0	
Q2	25C1815 (GR), 25C3331 (T, U)	10.2	7.5	0	
Q3	25C3000 (E)	0.5	8.8	1.3	
Q4	25C1815 (GR), 25C3331 (T, U)	4.3	4.3	4.7	
Q5	25C1815 (GR), 25C3331 (T, U)	0	4.7	0.3	
Q6	25C1815 (GR), 25C3331 (T, U)	0	4.0	0	
Q7	25C2080 (Q, R)	-1.2	0	0.7	
Q8	25C1815 (GR), 25C3331 (T, U)	0	3.8	0	
Q9	25C1815 (GR), 25C3331 (T, U)	0	0.9	0	
Q10	25C1815 (GR), 25C3331 (T, U)	0	0	0.8	
Q11	25C2271 (D, E)	0	71.7	0.9	
Q12	25C1398	0	117.9	-0.3	
Q13	25A1318 (T, U)	5.2	0	4.8	
Q14	25A1318 (T, U)	6.8	0	8.1	
Q15	25C1815 (GR), 25C3331 (T, U)	10.9	12.0	11.3	
Q16	25C1815 (GR), 25C3331 (T, U)	0	0	0.1	
Q17	25A1318 (T, U)	8.8	0	7.8	
Q18	25C1815 (GR), 25C3331 (T, U)	0	0	0.7	
Q201	25C2821 (D, E)	7.3	158.1	7.1	
Q202	25C2821 (D, E)	7.3	148.8	7.1	
Q203	25C2821 (D, E)	7.0	159.0	7.9	
Q204	25C2821 (D, E)	0	148.8	0	
Q205	25C1815 (GR), 25C3331 (T, U)	0	9.8	0	

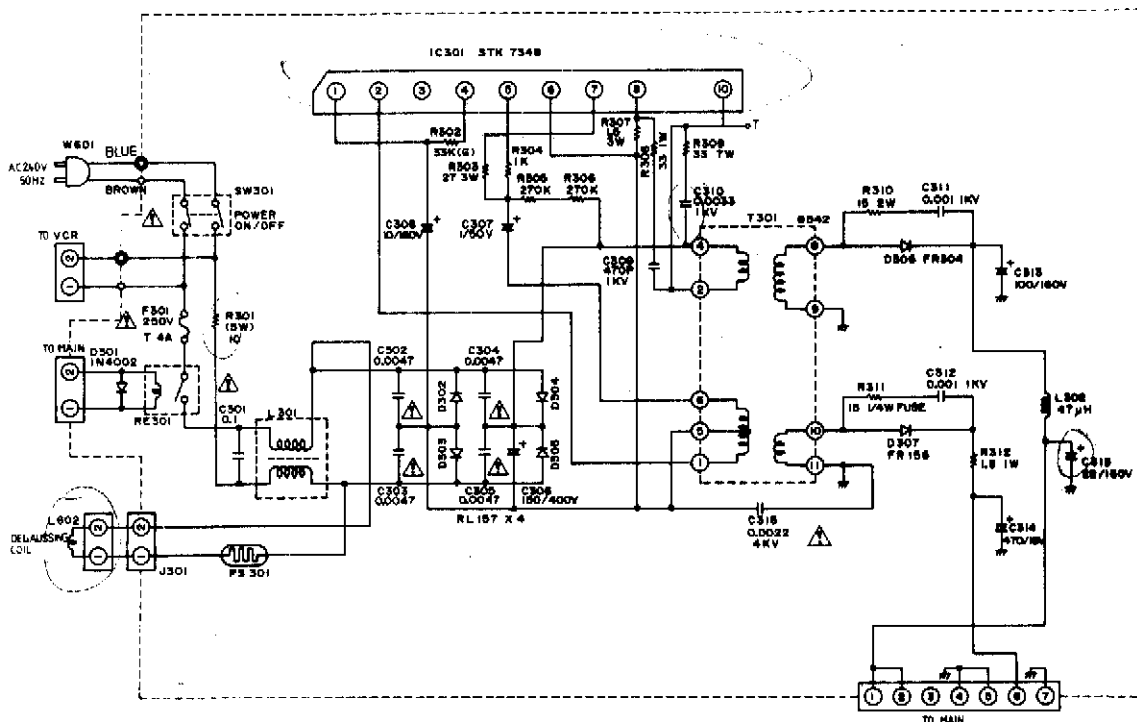
IC VOLTAGES

IC NO	IC1	IC2	IC3	IC4	IC5	IC6	IC7	IC8
PIN	LAT530N	LAT913	MN1220	MN14831PVL	LM511	PET853	6808	LAT913D
1	7.6	13.7	0	5.0	0	5.8		0
2	1.8	0	0	5.0	2.2.4	0		1.5.2
3	0	0	0.8	5.0		5.0		2.2.8
4	4.3	2.5	0	0				0.9
5	4.3	0	0	0				0.9
6	7.0	32.4	0	0				0.9
7	7.5	1.8	5.0	0				2.2.1
8	5.2	18.4	5.0	4.8				0.7
9	5.7	15.4	-28.5	N.C.				0
10	6.7	18.8	-5.8	N.C.				0
11	3.0	N.C.	0	N.C.				0
12	3.0	N.C.	0.1	N.C.				4.3
13	0	0	0	0				5.0
14	12.0	0	0	4.2				5.0
15	6.6	11.9	5.0	4.8				5.0
16	3.9	12.0	0	2.9				1.0.9
17	8.8			0				
18	8.8			2.3				
19	3.9			5.5				
20				4.8				
21	4.7			4.3				
22				5.0				
23				5.0				
24				5.0				
25				5.0				
26				5.0				
27				5.0				
28				2.8				
29				1.1				
30				2.8				
31				0.0				
32				5.0				
33				2.3				
34				2.8				
35				3.0				
36				0				
37				2.8				
38				3.7				
39				3.7				
40				0.8				

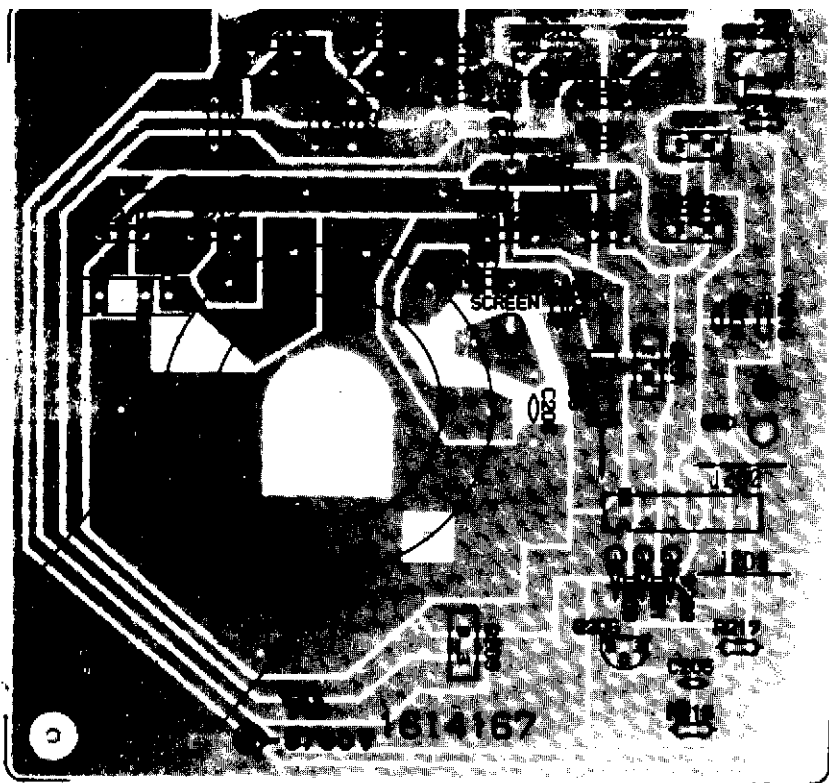
TV SECTION WIRING DIAGRAM



TV SECTION SCHEMATIC DIAGRAM (POWER SUPPLY)

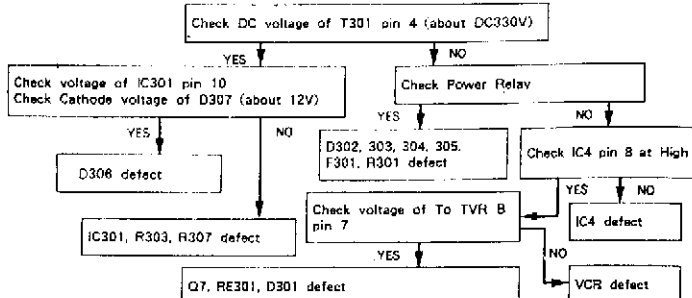


IC9	IC10	IC11	IC301
BA12	PC1423CA	AM585K	STK7348
1.8.3	17.4	12.0	42.9
0	3.8	8.4	1.2
12.0	5.2	0	NC
	8.5	0.2	25.3
	2.5	4.1	50.7
	5.9	5.9	0.4
	4.7	0	0
	0	6.2	0
	4.3	12.5	NC
	11.4		10.6
	7.0		
	7.7		
	12.0		
	5.1		
	8.5		
	8.2		
	8.2		
	5.2		
	5.2		
	0.3		
	3.4		
	0.9		
	10.8		
	11.1		
	0		
	0.6		
	5.4		
	6.0		
	3.4		
	4.7		
	4.7		
	8.9		
	0		
	7.4		
	0		
	7.5		
	11.2		
	0		
	0.4		
	4.7		
	2.2		
	9.0		
	9.8		
	8.6		
	8.3		
	0.7		
	8.1		

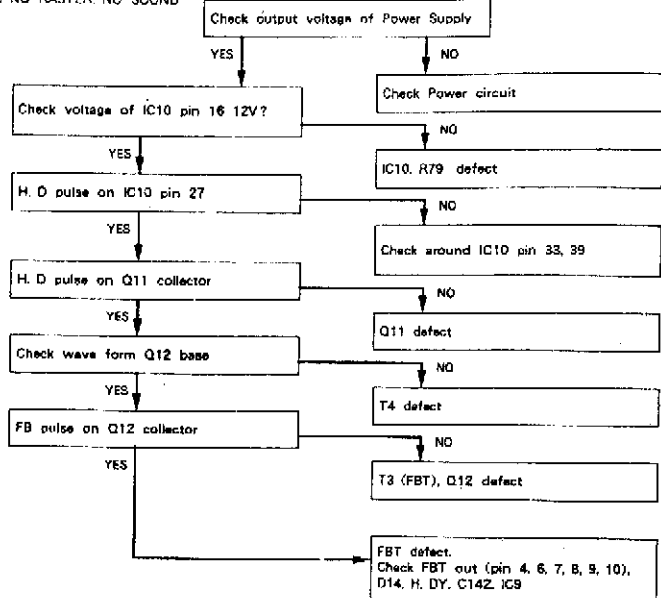


TV SECTION TROUBLESHOOTING GUIDE

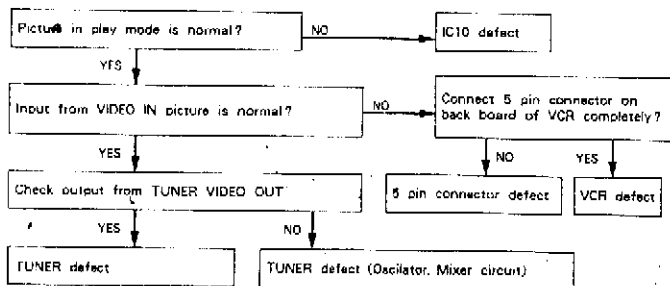
(1) NO POWER OUTPUT



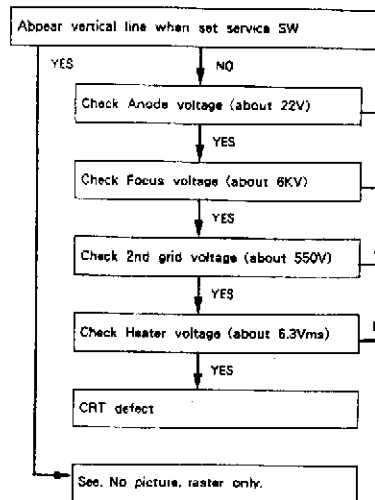
(2) NO RASTER, NO SOUND



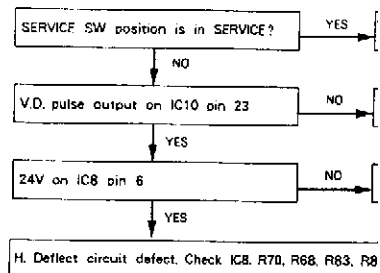
(3) NO PICTURE, RASTER ONLY



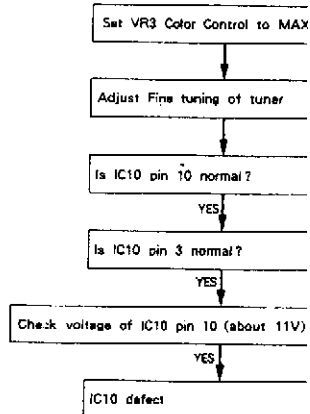
(4) NO RASTER WITH SOUND



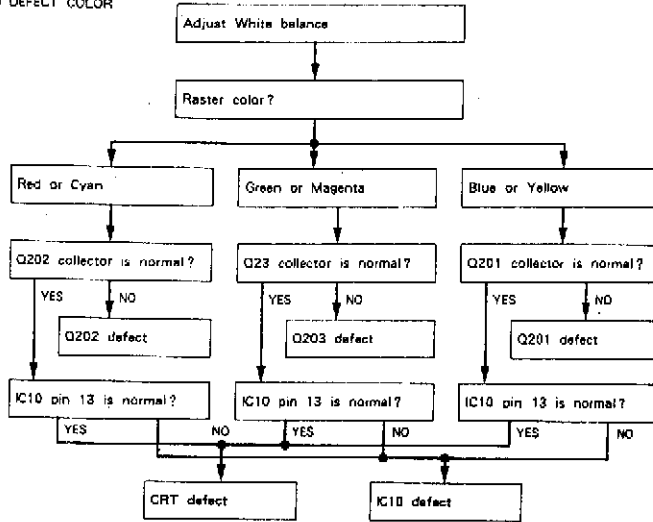
(5) NO V. DEFLECT (ONLY H. LINE)



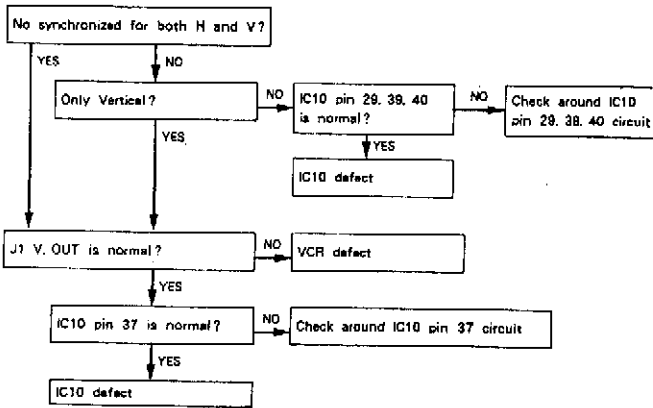
(6) NO COLOR



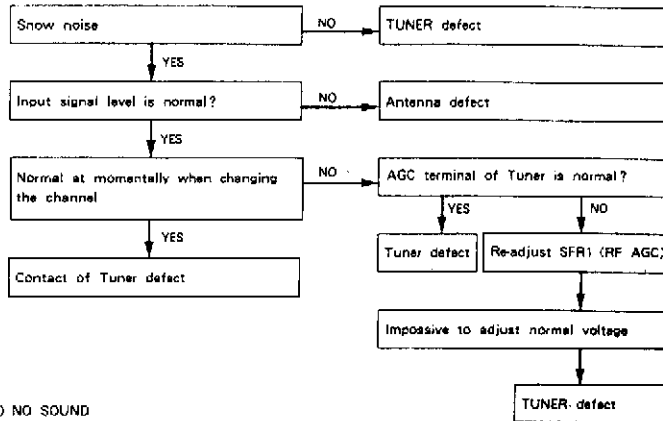
(7) DEFECT COLOR



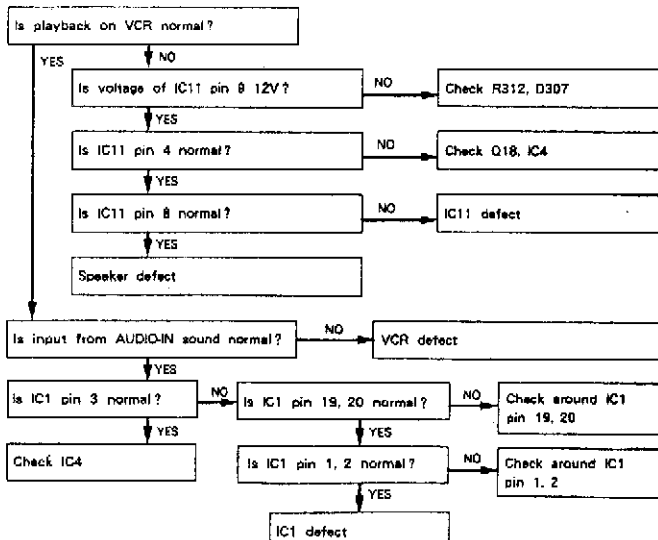
(8) NO SYNCHRONIZED



(9) DIMLY PICTURE



(10) NO SOUND



- Check Q11, 12, IC10 pin 27
- T3 (FBT) defect
- T3 (FBT), C205 defect
- T3 (FBT) defect

- SERVICE SW to NORMAL position
- Check around IC10 pin 21, 48
- R81 defect

D.Y

- NO Check circuit around IC10 pin 10
- NO Check circuit around IC10 pin 3
- NO IC10 pin 20 is normal?
 - YES Check circuit around IC10 pin 20, 16
 - NO